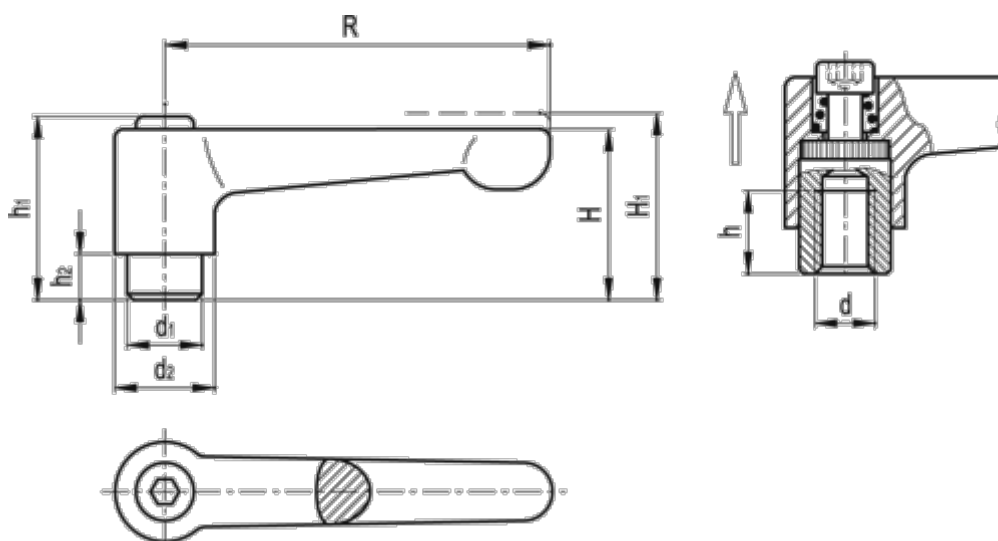


Article number: 20083494

Description: E+G Adjustable handle  
GN 302-45-M5-RS, red

## Measures



$d = M5$

$R = 45$

$d_1 = 10.0$

Weight (g) = 32

$d_2 = 13.0$

$h = 9$

$H = 22.0$

$h_1 = 24.5$

$H_1 = 25.5$

$h_2 = 4.0$